

PORSCHE

APPROVED
CERTIFIED PRE-OWNED

Vehicle Data

Dealer # : 4500223 Dealer Name : Rusnak-Pasadena
VIN : WP1AA2AY3LDA07795 Model Year : 2020 Model Name : Cayenne In-Service Date : 2020-07-16 Repair Order : 386565 Mileage : 44469
Engine # : 230594 Trans # : 4661919

Vehicle Source Check of POW/VAL in PQIS
 Trade Auction Lease Return Service Loaner Demo Unit CPO Inventory Yes No

Does this vehicle have any aftermarket accessories installed? ¹ Yes No

Has Autocheck VHR? Yes No Has Carfax VHR? Yes No

Vehicle Documentation

Check PPN Warranty History For:

<input checked="" type="checkbox"/> pass	<input type="checkbox"/> fail	Mileage discrepancies ²	<input checked="" type="checkbox"/> pass	<input type="checkbox"/> fail	Open recall campaigns/service actions completed
<input checked="" type="checkbox"/> pass	<input type="checkbox"/> fail	Odometer: check for tampering			

Glove Box Portfolio, Include:

<input checked="" type="checkbox"/> pass	<input type="checkbox"/> fail	Owner's Manual	<input checked="" type="checkbox"/> pass	<input type="checkbox"/> fail	Warranty Booklet
<input checked="" type="checkbox"/> pass	<input type="checkbox"/> fail	Maintenance Booklet	<input checked="" type="checkbox"/> pass	<input type="checkbox"/> fail	All servicing documented by Porsche dealers

Maintenance:

<input checked="" type="checkbox"/> pass	<input type="checkbox"/> fail	Perform Scheduled Maintenance	<input checked="" type="checkbox"/> pass	<input type="checkbox"/> fail	Air Bag System Maintenance
<input checked="" type="checkbox"/> pass	<input type="checkbox"/> fail	All emission control systems must be functional.	<input checked="" type="checkbox"/> pass	<input type="checkbox"/> fail	Check DME control unit for signs of tampering
<input checked="" type="checkbox"/> pass	<input type="checkbox"/> fail	Retrieve and address any fault codes	<input checked="" type="checkbox"/> pass	<input type="checkbox"/> fail	Radio/navigation system manual

CD changer code (card) number (optional) : Navigation CD/DVD version (optional) : Number of keys : 2

<input checked="" type="checkbox"/> pass	<input type="checkbox"/> fail	Vehicle tool kit, jack, compressor, emergency tire kit, first aid kit, wheel anti-theft protection, spare wheel, warning triangle.			
--	-------------------------------	--	--	--	--

Lights, Switches & Accessories

<input checked="" type="checkbox"/> pass	<input type="checkbox"/> fail	Ignition/Starter switch	<input checked="" type="checkbox"/> pass	<input type="checkbox"/> fail	Headlights
<input checked="" type="checkbox"/> pass	<input type="checkbox"/> fail	Emergency flasher switch	<input checked="" type="checkbox"/> pass	<input type="checkbox"/> fail	Fog/driving lights
<input checked="" type="checkbox"/> pass	<input type="checkbox"/> fail	Stop lights	<input checked="" type="checkbox"/> pass	<input type="checkbox"/> fail	Drive block system remote transmitter
<input checked="" type="checkbox"/> pass	<input type="checkbox"/> fail	All exterior lights checked for operation	<input checked="" type="checkbox"/> pass	<input type="checkbox"/> fail	All interior lights checked for operation
<input checked="" type="checkbox"/> pass	<input type="checkbox"/> fail	Cigarette lighter	<input checked="" type="checkbox"/> pass	<input type="checkbox"/> fail	Clock
<input checked="" type="checkbox"/> pass	<input type="checkbox"/> fail	Windshield and rear window wipers	<input checked="" type="checkbox"/> pass	<input type="checkbox"/> fail	Windshield and rear window washer system
<input checked="" type="checkbox"/> pass	<input type="checkbox"/> fail	Headlight washers	<input checked="" type="checkbox"/> pass	<input type="checkbox"/> fail	Horn(s)
<input checked="" type="checkbox"/> pass	<input type="checkbox"/> fail	Warning display lights and sounds	<input checked="" type="checkbox"/> pass	<input type="checkbox"/> fail	Instrument panel dimming
<input checked="" type="checkbox"/> pass	<input type="checkbox"/> fail	Power window switches	<input checked="" type="checkbox"/> pass	<input type="checkbox"/> fail	Park Assistant

Exterior: Underbody, Body, Doors, Lids & Top

For the purpose of evaluating body and paint for eligibility in the Porsche Approved Certified Pre-Owned Program, vehicles will be ineligible if the body of the vehicle has sustained excessive collision damage where:

1. The body of the vehicle has structural damage and/or sub-par repair.
2. Panels are misaligned and have a wave like appearance.
3. Panels have been painted and there are signs of mismatched paint or inconsistencies in the finish of the paint.
4. Signs of structural damage, e.g. damaged flanges, loose or broken joining elements (spot welds, rivets, etc.) and/or deformities in the sheet metal.
5. Paint work is inconsistent in texture and color.

Is there visible evidence of existing body damage to the vehicle? ³ Yes No

Underbody Components:

<input checked="" type="checkbox"/> pass	<input type="checkbox"/> fail	Axle joints	<input checked="" type="checkbox"/> pass	<input type="checkbox"/> fail	Leaks: engine, transmission, differential, transfer case
<input checked="" type="checkbox"/> pass	<input type="checkbox"/> fail	Gas Cap	<input checked="" type="checkbox"/> pass	<input type="checkbox"/> fail	Wheel locks
<input checked="" type="checkbox"/> pass	<input type="checkbox"/> fail	Front/Rear lid release actuation	<input checked="" type="checkbox"/> pass	<input type="checkbox"/> fail	Underbody inspection for damage/corrosion
<input checked="" type="checkbox"/> pass	<input type="checkbox"/> fail	Exhaust system	<input checked="" type="checkbox"/> pass	<input type="checkbox"/> fail	Brake lines/hoses
<input checked="" type="checkbox"/> pass	<input type="checkbox"/> fail	Fuel lines/hoses	<input checked="" type="checkbox"/> pass	<input type="checkbox"/> fail	Coolant hoses and connections

Door Inspection:

<input checked="" type="checkbox"/> pass	<input type="checkbox"/> fail	Hinges	<input checked="" type="checkbox"/> pass	<input type="checkbox"/> fail	Door closing
<input checked="" type="checkbox"/> pass	<input type="checkbox"/> fail	Door locks	<input checked="" type="checkbox"/> pass	<input type="checkbox"/> fail	Check straps
<input checked="" type="checkbox"/> pass	<input type="checkbox"/> fail	Window lifter mechanisms			

Other / Misc:

<input checked="" type="checkbox"/> pass	<input type="checkbox"/> fail	Seat adjusters	<input checked="" type="checkbox"/> pass	<input type="checkbox"/> fail	Sunroof/sliding roof mechanisms and locks
<input type="checkbox"/> pass	<input type="checkbox"/> fail	Cabriolet top operation	<input type="checkbox"/> pass	<input type="checkbox"/> fail	Targa top operation
<input checked="" type="checkbox"/> pass	<input type="checkbox"/> fail	Glass chips or cracks	<input type="checkbox"/> pass	<input type="checkbox"/> fail	Trailer Hitch

Tires / Brakes

Tread Depth Measurements (minimum of 4mm or 50%)

Measuring points (mm)	Inside	Center	Outside
Front left	7	7	7
Rear left	7	7	7
Rear right	7	7	7
Front right	7	7	7
Spare wheel	7	7	7

ALL four tires must be of the same brand, model, speed rating, and specification code. If the measurement on any OEM approved or N-Spec tire is less than 4/32 (4mm) or the tread depth measures less than 50% from tread depth when the tire was new, the tire must be replaced with the most recent N Spec tire available at the time of this inspection.

All tires six (6) years old must be replaced regardless of condition.

Aftermarket tires do not disqualify a unit from the CPO program but an addendum must be presented to the owner stating they are not covered under the respective Tire Manufacturers Warranty.

<input checked="" type="checkbox"/> pass	<input type="checkbox"/> fail	Tire size	<input checked="" type="checkbox"/> pass	<input type="checkbox"/> fail	Brake calipers/cylinders, air ducts, cover plates
<input checked="" type="checkbox"/> pass	<input type="checkbox"/> fail	Tire pressures			
<input checked="" type="checkbox"/> pass	<input type="checkbox"/> fail	Tire pressure monitor			

Brake Pad Wear (Approximate % of pad remaining)

If less than 50% of the brake pad remains the pads must be replaced.

Left Front	Right Front	Left Rear	Right Rear
90	90	90	90

Engine Compartment

<input checked="" type="checkbox"/> pass	<input type="checkbox"/> fail	Engine CO/HC	<input checked="" type="checkbox"/> pass	<input type="checkbox"/> fail	Alternator function
<input checked="" type="checkbox"/> pass	<input type="checkbox"/> fail	Alternator/on-board voltage	<input checked="" type="checkbox"/> pass	<input type="checkbox"/> fail	Ignition system
<input checked="" type="checkbox"/> pass	<input type="checkbox"/> fail	A/C compressor	<input checked="" type="checkbox"/> pass	<input type="checkbox"/> fail	Belts
<input checked="" type="checkbox"/> pass	<input type="checkbox"/> fail	Engine	<input checked="" type="checkbox"/> pass	<input type="checkbox"/> fail	Electrical connections and fuses

Battery type:

OEM Aftermarket

Battery % State of Health : 76

Fluids

<input checked="" type="checkbox"/> pass	<input type="checkbox"/> fail	Engine oil	<input checked="" type="checkbox"/> pass	<input type="checkbox"/> fail	Front/rear axle differential oil
<input checked="" type="checkbox"/> pass	<input type="checkbox"/> fail	Transmission oil	<input checked="" type="checkbox"/> pass	<input type="checkbox"/> fail	Coolant
		Antifreeze protection temp (°C) : <u>-37</u>			
<input checked="" type="checkbox"/> pass	<input type="checkbox"/> fail	Power steering hydraulic oil	<input checked="" type="checkbox"/> pass	<input type="checkbox"/> fail	Brake fluid
<input type="checkbox"/> pass	<input type="checkbox"/> fail	Clutch fluid	<input checked="" type="checkbox"/> pass	<input type="checkbox"/> fail	Windscreen/headlight washer fluid

Interior

<input checked="" type="checkbox"/> pass	<input type="checkbox"/> fail	Door locking system (child-proof locks)	<input checked="" type="checkbox"/> pass	<input type="checkbox"/> fail	Remote control
<input checked="" type="checkbox"/> pass	<input type="checkbox"/> fail	Alarm system and immobiliser	<input checked="" type="checkbox"/> pass	<input type="checkbox"/> fail	Ignition and ignition lock
<input checked="" type="checkbox"/> pass	<input type="checkbox"/> fail	Steering wheel lock	<input checked="" type="checkbox"/> pass	<input type="checkbox"/> fail	Horn
<input checked="" type="checkbox"/> pass	<input type="checkbox"/> fail	Airbag system (child seat detection)	<input checked="" type="checkbox"/> pass	<input type="checkbox"/> fail	Wipers front and rear
<input checked="" type="checkbox"/> pass	<input type="checkbox"/> fail	Steering column adjustment	<input checked="" type="checkbox"/> pass	<input type="checkbox"/> fail	Seat belts and seat belt height adjustment
<input checked="" type="checkbox"/> pass	<input type="checkbox"/> fail	Seat adjustment, position memory, heating and ventilation	<input checked="" type="checkbox"/> pass	<input type="checkbox"/> fail	Seat and head restraint upholstery
<input checked="" type="checkbox"/> pass	<input type="checkbox"/> fail	Sun visors	<input checked="" type="checkbox"/> pass	<input type="checkbox"/> fail	Roof lining
<input checked="" type="checkbox"/> pass	<input type="checkbox"/> fail	Floor mats and carpet	<input checked="" type="checkbox"/> pass	<input type="checkbox"/> fail	Interior trim and luggage compartment
<input checked="" type="checkbox"/> pass	<input type="checkbox"/> fail	Glove box	<input checked="" type="checkbox"/> pass	<input type="checkbox"/> fail	Cupholders
<input checked="" type="checkbox"/> pass	<input type="checkbox"/> fail	Ashtrays	<input checked="" type="checkbox"/> pass	<input type="checkbox"/> fail	Cigarette lighter/sockets (12v)
<input checked="" type="checkbox"/> pass	<input type="checkbox"/> fail	Instrument panel (check while stationary)	<input checked="" type="checkbox"/> pass	<input type="checkbox"/> fail	On-board clock
<input checked="" type="checkbox"/> pass	<input type="checkbox"/> fail	PCM (radio, telephone, CD, DVD, navigation system, Porsche Connect)	<input checked="" type="checkbox"/> pass	<input type="checkbox"/> fail	CD changer
<input checked="" type="checkbox"/> pass	<input type="checkbox"/> fail	Interior lighting	<input checked="" type="checkbox"/> pass	<input type="checkbox"/> fail	Heating/ventilation/air conditioning/climate control

<input checked="" type="checkbox"/> pass	<input type="checkbox"/> fail	Exterior mirror/rear-view mirror adjustment	<input checked="" type="checkbox"/> pass	<input type="checkbox"/> fail	Power windows (anti-pinch protection)
<input checked="" type="checkbox"/> pass	<input type="checkbox"/> fail	Bonnet/tailgate release	<input checked="" type="checkbox"/> pass	<input type="checkbox"/> fail	Roof (Cabriolet, Targa, sliding sunroof)
<input type="checkbox"/> pass	<input type="checkbox"/> fail	Cabriolet wind deflector	<input checked="" type="checkbox"/> pass	<input type="checkbox"/> fail	Tequipment/Exclusive equipment

Equipment notes : _____

Test Drive


Does this vehicle have SiriusXM? Yes No

<input checked="" type="checkbox"/> pass	<input type="checkbox"/> fail	(Cold-)start/idling characteristics	<input checked="" type="checkbox"/> pass	<input type="checkbox"/> fail	Braking effect (service brake and handbrake)
<input checked="" type="checkbox"/> pass	<input type="checkbox"/> fail	ABS	<input checked="" type="checkbox"/> pass	<input type="checkbox"/> fail	Suspension system
<input checked="" type="checkbox"/> pass	<input type="checkbox"/> fail	PASM/air suspension	<input checked="" type="checkbox"/> pass	<input type="checkbox"/> fail	Electronic Stability System (PSM, etc.)
<input checked="" type="checkbox"/> pass	<input type="checkbox"/> fail	Power steering/Servotronic	<input checked="" type="checkbox"/> pass	<input type="checkbox"/> fail	Steering wheel centered
<input checked="" type="checkbox"/> pass	<input type="checkbox"/> fail	Straight-ahead travel	<input checked="" type="checkbox"/> pass	<input type="checkbox"/> fail	Road behavior/handling
<input checked="" type="checkbox"/> pass	<input type="checkbox"/> fail	Vehicle performance	<input type="checkbox"/> pass	<input type="checkbox"/> fail	Clutch play
<input checked="" type="checkbox"/> pass	<input type="checkbox"/> fail	Gear change	<input checked="" type="checkbox"/> pass	<input type="checkbox"/> fail	Rear window and mirror heating
<input checked="" type="checkbox"/> pass	<input type="checkbox"/> fail	ParkAssist/reversing camera	<input checked="" type="checkbox"/> pass	<input type="checkbox"/> fail	PCM (radio, telephone, CD, DVD, navigation system, Porsche Connect)
<input checked="" type="checkbox"/> pass	<input type="checkbox"/> fail	Cruise control (all functions)	<input checked="" type="checkbox"/> pass	<input type="checkbox"/> fail	Differential locks, all-wheel drive
<input checked="" type="checkbox"/> pass	<input type="checkbox"/> fail	Instrument panel	<input checked="" type="checkbox"/> pass	<input type="checkbox"/> fail	Hill Hold Control
<input checked="" type="checkbox"/> pass	<input type="checkbox"/> fail	Lane Departure Warning (LDW)	<input checked="" type="checkbox"/> pass	<input type="checkbox"/> fail	Lane Change Assist (LCA)
<input checked="" type="checkbox"/> pass	<input type="checkbox"/> fail	Distance Control System	<input checked="" type="checkbox"/> pass	<input type="checkbox"/> fail	No unusual noises/vibrations
<input checked="" type="checkbox"/> pass	<input type="checkbox"/> fail	Warm-start/idling characteristics			

Photos

* Photos are attached on a separate page.

The signatures of the mechanic, service manager and pre-owned manager are confirmation that this Porsche has been meticulously inspected and that detected defects have been rectified in accordance with the Porsche Approved Certified Pre-Owned Program. This inspection is invalid without all required signatures.

07/11/23 Date	 Technician	07/14/23 Date	Allen Khatchik Pre-Owned Manager
07/14/23 Date	Greg Kassarian Service Manager	_____ Date	_____ Purchasing Customer

* Any errors that may arise at a later date that compromise the integrity of the vehicle may be covered by buy back protection offered by the vehicle history company. Consult Experian Autocheck or CARFAX for details.

This checklist was started on 07/11/23 and was completed on 07/14/23 by Rusnak-Pasadena(#4500223)

1. For vehicle eligibility, aftermarket components are limited to: Exhausts, Exhaust Systems (excluding any emission components, e.g. O2 Sensor, Catalytic Converter), Tires, Wheels, Rims, Batteries and Trailer Hitches for Cayenne and Macan only. Aftermarket items must be represented by an addendum sticker. These components and any consequential damage caused by their installation are not covered under the Porsche Approved Pre-Owned Limited Warranty.
2. Pass = Component or system meets Porsche guidelines and standards. Fail = Does not meet Porsche guidelines and standards. Repair or replacement of component or system is required.
3. Any dings or scratches on the vehicle should be denoted in the technician(s) notes.

Vehicle Photos



Exterior LF Corner



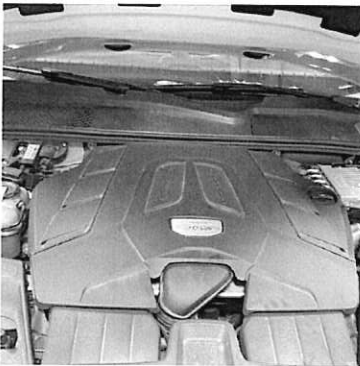
Exterior LR Corner



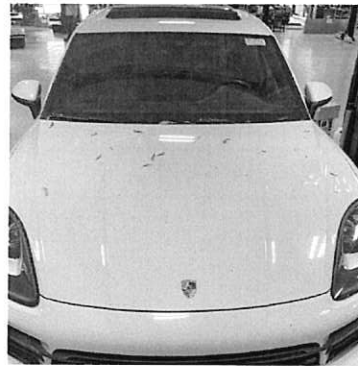
Exterior RF Corner



Exterior RR Corner



Exterior Engine



Exterior Hood



Exterior Deck Lid (or misc if not equipped)



Miscellaneous (Keys/Manual,Tires, etc.)

Statement of Certification

We're proud of our technicians, and no one knows a Porsche better than them. Rigorous mechanical and cosmetic standards must be met by every Porsche Approved Certified Pre-Owned Vehicle. This is part of the meticulous preparation process undertaken prior to sale. You can be assured that your new Porsche Approved Certified Pre-Owned Vehicle has undergone service and preparation worthy of the Porsche name and meets the standards you would expect of us.



New Car In Service Date	2020-07-16
Model Year	2020
Model Name	Cayenne
Vehicle Identification Number (VIN)	WP1AA2AY3LDA07795

Quality

- Your Porsche Approved Certified Pre-Owned vehicle has a vehicle history report*
- Your Porsche Approved Certified Pre-Owned Vehicle has been inspected by factory trained technicians who conducted a 111+ point mechanical and cosmetic inspection
- Your Porsche Approved Certified Pre-Owned Vehicle has had all repairs and reconditioning carried out in line with the strict quality inspection standards

Satisfaction

- A clean car ready for delivery
- A full tank of gas
- Statement of Certification Sticker placed in driver side door jamb

Warranty

This warranty is given to the owner of any qualifying Porsche Approved Certified Pre-Owned vehicle (distributed by PCNA and sold by an authorized Porsche automobile dealer in the United States).

- 2 Years / Unlimited Mileage Warranty coverage from the expiration of the new vehicle limited warranty or from the date of sale if the new vehicle limited warranty has expired†
- 2 Years / Unlimited Mileage Porsche Roadside Assistance
- Factory trained technicians perform repairs
- No deductible, straightforward administration
- Redeemable at every Porsche Dealer
- Only Genuine Porsche parts are used

† This new warranty does not apply to vehicles sold as CPO prior to December 1, 2017 or vehicles with an existing 2 year/ 100K mileage warranty while still covered under new vehicle limited warranty. This warranty is not valid on sales by any non authorized commercial dealer or broker. If this vehicle is traded to a non-authorized Porsche dealer or broker for resale purposes, the Certified Pre-Owned Limited Warranty is void. For complete warranty coverage details, please refer to your Porsche Approved Certified Pre-Owned Limited Warranty Manual.

_____ Customer Signature	_____ Porsche Sales Professional Signature	_____ Date
-----------------------------	---	---------------

* Any errors that may arise at a later date that compromise the integrity of the vehicle may be covered by buy back protection offered by the vehicle history company. Consult Experian Autocheck or CARFAX for details.
This checklist was started on 07/11/23 and was completed on 07/14/23 by Rusnak-Pasadena[#4500223]

PORSCHE

**APPROVED
CERTIFIED PRE-OWNED**

Statement of Certification - Warranty Conditions

Warranty Coverage

Porsche Cars North America, Inc. will repair or replace with a new or remanufactured part distributed by PCNA, at its sole option, any factory-installed part that is faulty in material or workmanship under normal use. (Normal vehicle use is described in this Booklet.) Warranty repairs will be made free of charge for parts and labor at an authorized Porsche dealer. These express warranties are provided by PCNA, and are in lieu of all other express warranties of PCNA, the manufacturer, and selling dealer.

This Warranty covers all parts of the following components:

- Engine
- Fuel system/cooling system
- Drive/transmission
- Suspension/steering
- Brake system
- Heating/air conditioning
- Electrics
- Body

Warranty Exclusions

Specifically excluded from this coverage are:

- Vehicle abuse, vandalism, accidents, acts of God, competition racing or track use, or other events beyond control of PCNA
- Fines, taxes or impound fees caused by a violation of local or state law
- Expenses related to hazardous weather conditions (removal from snow, ice, etc.)
- If your Porsche has aftermarket tires and/or wheels installed or has had the suspension modified, Porsche Roadside Assistance will assist in setting up transport of your vehicle, but this expense will not be covered under the Porsche Roadside Assistance program.
- Wear and tear items defined by PCNA
- Scheduled maintenance

Warranty outside the U.S.

If your car is taken to an authorized Porsche dealer outside the U.S. or Canada, the Porsche Approved Certified Pre-Owned Limited Warranty is redeemable at Porsche dealerships worldwide. This warranty coverage applies to vehicles sold on or after 12/01/2017, however excludes Roadside Assistance. A vehicle which is imported by an individual into Canada must comply with all Canadian governmental requirements.

Warranty Transfer

The balance of this Porsche Approved Certified Pre-Owned Limited Warranty may be transferred to another private owner through retail transaction. Porsche Cars North America, Inc. does not charge a fee for this transfer, but requires that a Change of Address Card found at the back of this book be mailed to PCNA to update our records.

* Any errors that may arise at a later date that compromise the integrity of the vehicle may be covered by buy back protection offered by the vehicle history company. Consult Experian Auteccheck or CARFAX for details.

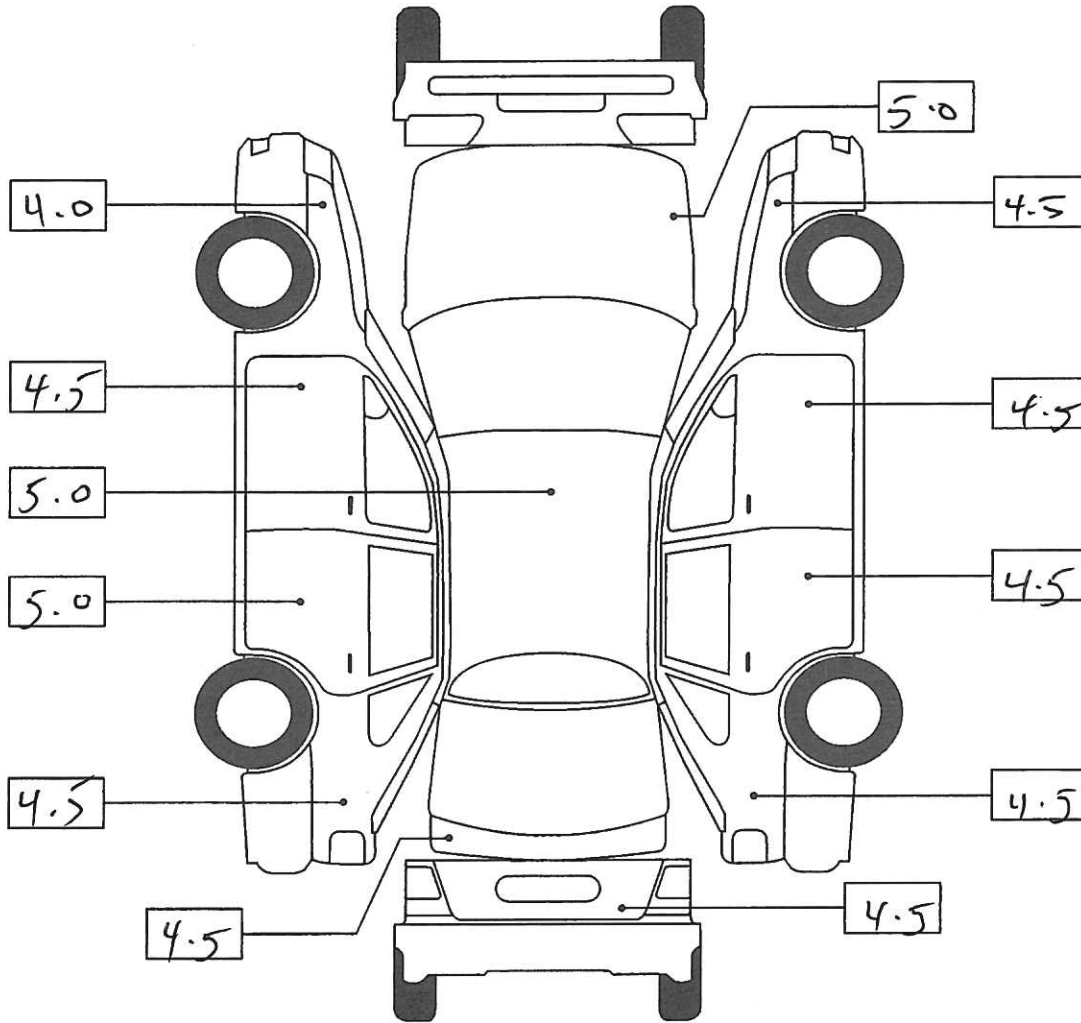
This checklist was started on 07/11/23 and was completed on 07/14/23 by Pusnak-Pasadena[#4500223]



PAINT THICKNESS MEASUREMENTS

Date: 7/1/23 Vehicle Identification Number (VIN): WP1AA2AY3LDA07795
 Year: 2020 Make: Porsche Model: Cayenne
 Customer Name: _____

As a part of the pre-sale inspection and reconditioning process, Rusnak inspected the vehicle's exterior paint and took the following paint thickness measurements:



Areas of suspected prior paint and/or body repairs:


 Dealer Signature

7/1/23

Date Customer Signature

Date